



OA Temp: 34.2 °F  
OA CO2: 400 PPM  
1/11/2023 12:11:03 PM



# 51 Brattle Street Cambridge, MA

## Equipment

- AHU 1
- Cooling Tower
- Chiller Sys
- Boilers
- Misc Points
- AHU 1st Floor



## Floorplans

- Floor 7
- Floor 6
- Floor 5
- Floor 4
- Floor 3
- Floor 2
- Floor 1

Floor Menu

Equipment Menu

Schedules

Alarms

Critical Alarms

Trends

Active Overrides

51 Brattle St



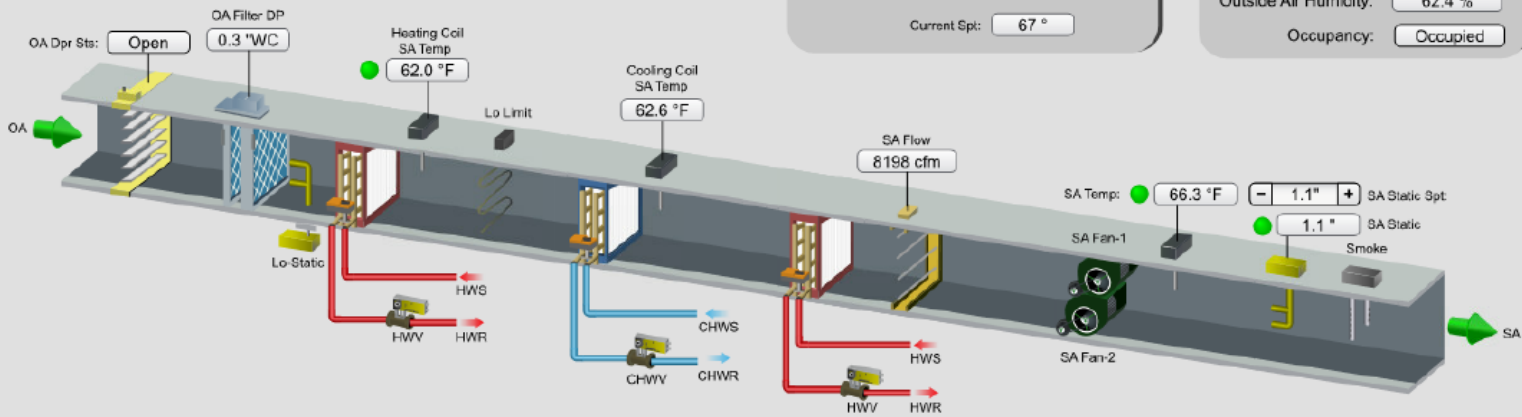
### 51 Brattle AHU-1 Penthouse

**Discharge Air Setpoint**

OA Low Spt: 20 ° Da High Spt: 70 °  
 OA High Spt: 85 ° Da Low Spt: 55 °  
 Current Spt: 67 °

**Outdoor Sensor**

Outside Air Temp: 33.5 °F  
 Outside Air Humidity: 62.4 %  
 Occupancy: Occupied



Floor Menu

Equipment Menu

Schedules

Alarms

Critical Alarms

Trends

Active Overrides

51 Brattle St

**Heating & Cooling Control Panel**

Preheat Coil Vlv Pos: 37 %  
 Preheat Coil Vlv Fbk: 37 %  
 Heat Coil Vlv Pos: 17 %  
 Heat Coil Vlv Fbk: 18 %  
 Cool Coil Vlv Pos: 0 %  
 Cool Coil Vlv Fbk: -0 %

**Supply VFD Control Panel**

SA Fan-1

VFD Enable: On  
 VFD Speed: 69 %  
 Fan Status: On  
 Freeze Pump Cmd: On  
 Freeze Pump Sts: On

DeHumidification: DeActive  
 Activation Spt: 60.0 %  
 Avg RH: 14 %  
 DeHum SA Spt: 53 %

**AHU-1 Alarms**

- Sa Fan: ●
- SA Hi Static Pr: ●
- SA Lo Static Pr: ●
- Freeze Stat: ●
- Smoke: ●
- Filter Hi Diff Pr: ●
- Freeze Pump: ●
- Alarm Reset:

# 51 Brattle Chilled Water System

Tower Data

Floor Menu

Equipment Menu

Schedules

Alarms

Critical Alarms

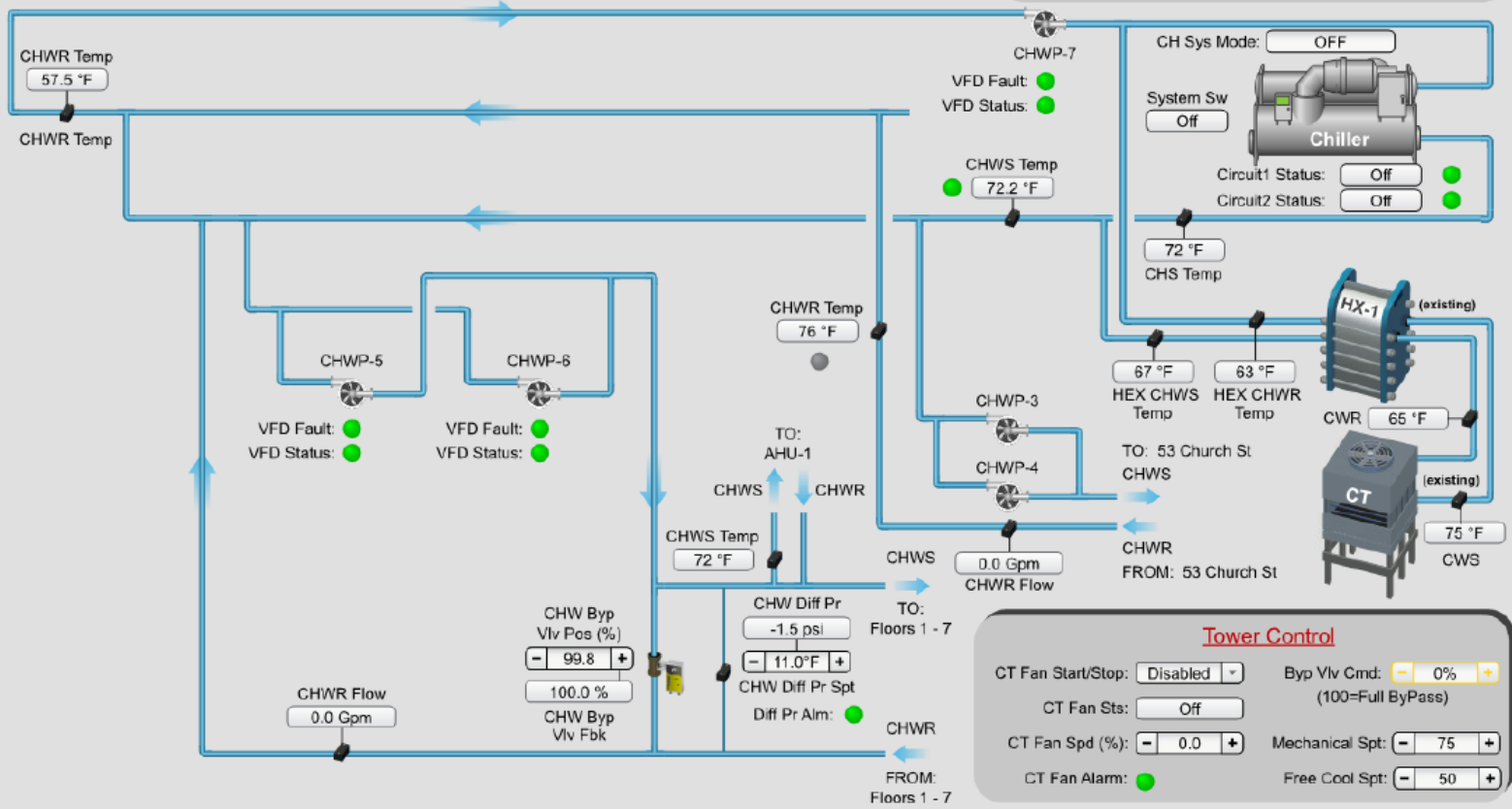
Trends

Active Overrides

51 Brattle St

**CHW Reset Setpoints**

OA Low SP: - 50.0°F +	OA High SP: - 70.0°F +
CHW Low SP: - 44.0°F +	CHW High SP: - 50.0°F +
Current SP: 50 °F	OAT Enable SP: - 60.0°F +



**Tower Control**

CT Fan Start/Stop: Disabled	Byp Vlv Cmd: 0% (100=Full ByPass)
CT Fan Sts: Off	Mechanical Spt: 75
CT Fan Spd (%): 0.0	Free Cool Spt: 50
CT Fan Alarm: Green	



OA Temp: 33.9 °F

OA CO2: 400 PPM

1/11/2023 12:06:51 PM

Floor Menu

Equipment Menu

Schedules

Alarms

Critical Alarms

Trends

Active Overrides

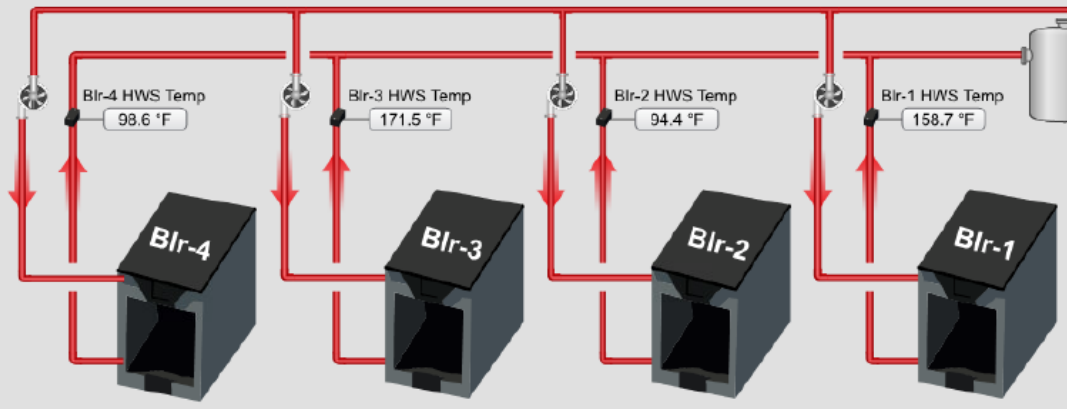
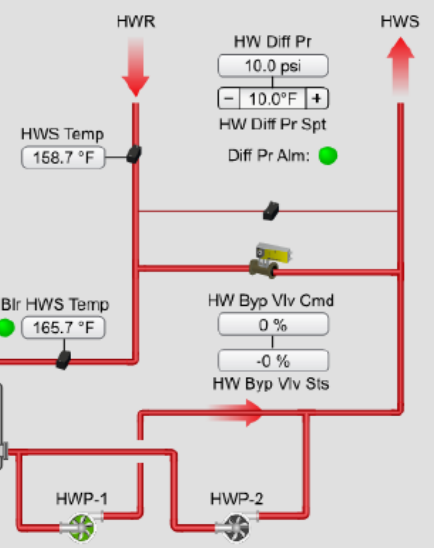
51 Brattle St

# 51 Brattle HW System

Hot Water Pumps

### Outdoor Sensor

Outside Air Temp:	33.9 °F
Outside Air Humidity:	62.1 %
Oa HW Sys Enable Sp:	- 70.0°F +
Bld HW Sys Enable Sp:	- 70.0°F +
Hot Water Sys Enable:	On
Building Low Temp:	64.6 °F



### HWP VFD Control Panel

	HWP-1	HWP-2
VFD Start/Stop:	On	Off
VFD Status (A):	On	Off
VFD Speed (%):	- 52.4 +	- 0.0 +
VFD Fault:	<span style="color: green;">●</span>	<span style="color: green;">●</span>
VFD Status:	<span style="color: green;">●</span>	<span style="color: green;">●</span>



OA Temp: 33.9 °F  
OA CO2: 400 PPM

1/11/2023 12:07:15 PM

Floor Menu

Equipment Menu

Schedules

Alarms

Critical Alarms

Trends

Active Overrides

51 Brattle St

### 4th Floor



- Fan Powered Box
- VAV Box
- CO2 Sensor (PPM)
- Heat Pumps
- Fan Coil
- Cabinet Unit Heater
- % Relative Humidity



OA Temp: 33.6 °F  
OA CO2: 400 PPM

1/11/2023 12:09:01 PM

Floor Menu

Equipment Menu

Schedules

Alarms

Critical Alarms

Trends

Active Overrides

51 Brattle St

### Office W-418

Miscellaneous Data

Building Occupancy:

Occupancy Status:

Unocc Cooling SP:

Unocc Heating SP:

Space Control

Temp:

Thermostat SP:

Active SP:

High Temp Alarm:

Low Temp Alarm:

Condensation Alarm:

Condensation Alarm Reset:

### 4 Pipe Fan Coil

